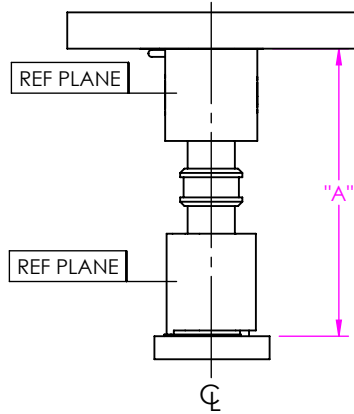
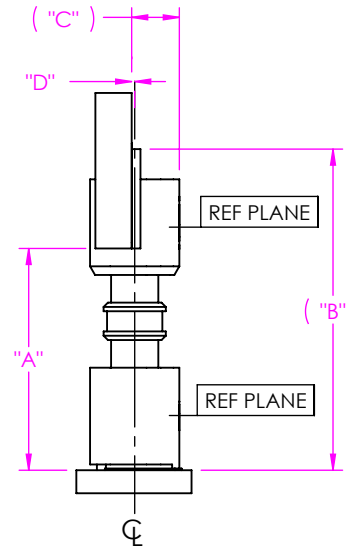


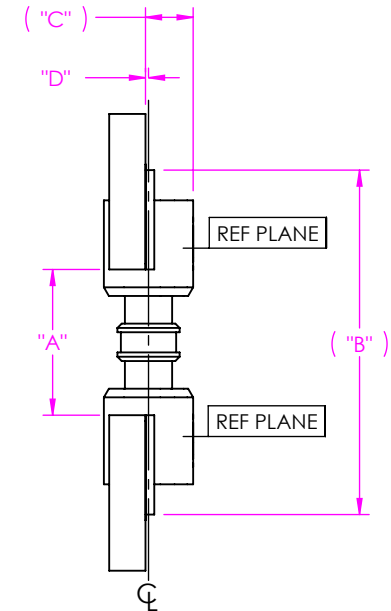
DO NOT  
SCALE FROM  
THIS PRINT



**FIGURE 1**  
MEZZANINE MATED  
CONFIGURATION



**FIGURE 2**  
PERPENDICULAR MATED  
CONFIGURATION



**FIGURE 3**  
COPLANAR MATED  
CONFIGURATION

TABLE 1

		GPPB-XX-X-XX-XX-ST-SM-XX-X				GPPC-PX-X-XX-XX-ST-SL				GPPC-XX-X-XX-XX-ST-EM-XX				"C"	"D"		
		"A" FULLY MATED		"B" FULLY MATED		"A" FULLY MATED		"B" FULLY MATED		"A" FULLY MATED		"B" FULLY MATED					
GPPC-XX-X-XX-XX-ST-EM-XX	PRFIA-SMPM-J-J-S-1	0.250	[6.35]	0.423	[10.73]	0.265	[6.73]	0.438	[11.11]	0.136	[3.45]	0.481	[12.22]	0.083	[2.10]	0.005	[0.13]
	PRFIA-SMPM-J-J-S-2	0.367	[9.32]	0.540	[13.70]	0.382	[9.70]	0.555	[14.08]	0.253	[6.43]	0.598	[15.19]				
	PRFIA-SMPM-J-J-S-3	0.540	[13.72]	0.713	[18.10]	0.555	[14.10]	0.728	[18.48]	0.426	[10.82]	0.771	[19.58]				
	PRFIA-SMPM-J-J-S-4	0.206	[5.23]	0.379	[9.61]	0.221	[5.61]	0.394	[9.99]	0.092	[2.34]	0.437	[11.10]				
GPPC-PX-X-XX-XX-ST-SL	PRFIA-SMPM-J-J-S-1	0.379	[9.63]			0.394	[10.01]										
	PRFIA-SMPM-J-J-S-2	0.496	[12.60]			0.511	[12.98]										
	PRFIA-SMPM-J-J-S-3	0.669	[16.99]			0.684	[17.37]										
	PRFIA-SMPM-J-J-S-4	0.335	[8.51]			0.350	[8.89]										
GPPB-XX-X-XX-XX-ST-SM-XX-X	PRFIA-SMPM-J-J-S-1	0.364	[9.25]														
	PRFIA-SMPM-J-J-S-2	0.481	[12.22]														
	PRFIA-SMPM-J-J-S-3	0.654	[16.61]														
	PRFIA-SMPM-J-J-S-4	0.320	[8.13]														

NOTES:

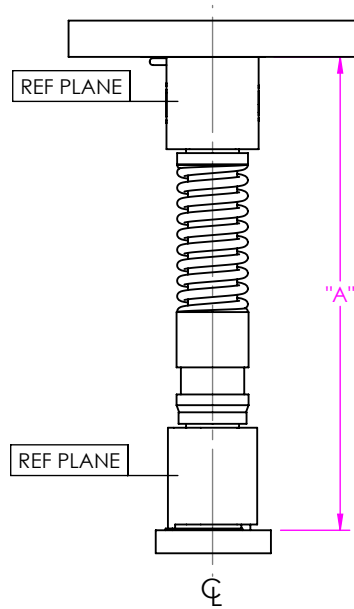
1. ALL DIMENSIONS BASED ON NOMINAL VALUES FOR SAMTEC RECOMMENDED PCB LAYOUTS.
2. ALTHOUGH UNCOMPRESSED DIMENSIONS ARE LISTED SAMTEC RECOMMENDS FULLY COMPRESSING COMPONENTS.
3. DIMENSIONS SHOWN DO NOT INCLUDE SOLDER THICKNESS, TOLERANCE STACKS.

• PROPRIETARY NOTE •  
THIS DOCUMENT CONTAINS CONFIDENTIAL AND PROPRIETARY INFORMATION AND ALL DESIGN, MANUFACTURING, REPRODUCTION, USE, PATENT RIGHTS AND SALES RIGHTS ARE EXPRESSLY RESERVED BY SAMTEC, INC. THIS DOCUMENT SHALL NOT BE DISCLOSED, IN WHOLE OR PART, TO ANY UNAUTHORIZED PERSON OR ENTITY NOR REPRODUCED, TRANSFERRED OR INCORPORATED IN ANY OTHER PROJECT IN ANY MANNER WITHOUT THE EXPRESS WRITTEN CONSENT OF SAMTEC, INC.

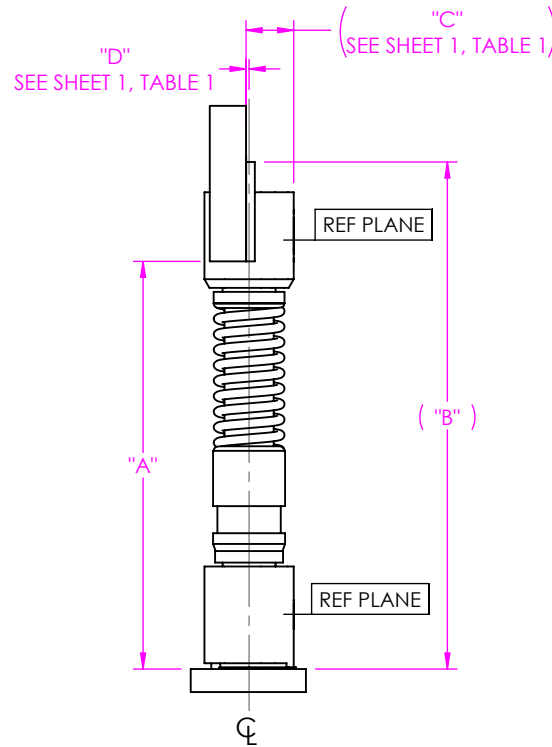


520 PARK EAST BLVD, NEW ALBANY, IN 47150  
PHONE: 812-944-6733 FAX: 812-948-5047  
e-Mail info@SAMTEC.com code 55322

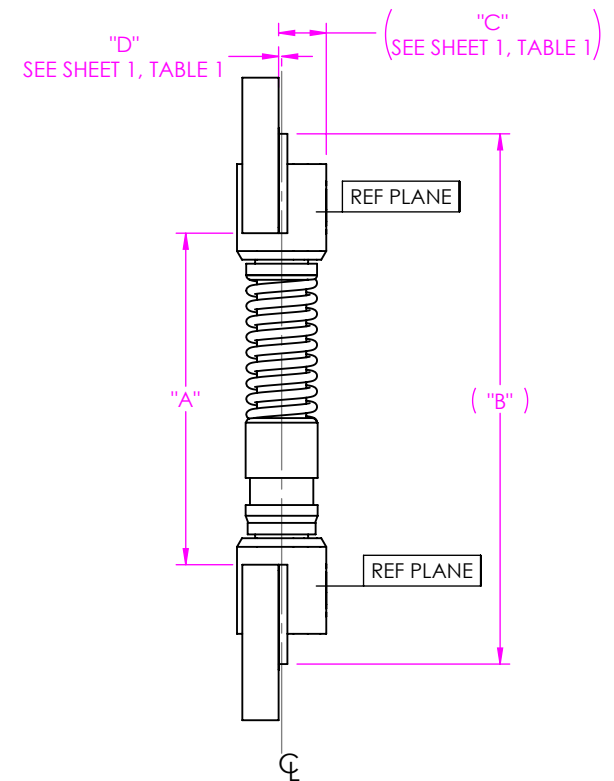
# GPPX MATED VIEWS



**FIGURE 4**  
MEZZANINE MATED  
CONFIGURATION



**FIGURE 5**  
PERPENDICULAR MATED  
CONFIGURATION



**FIGURE 6**  
COPLANAR MATED  
CONFIGURATION

TABLE 2

		GPPB-XX-X-XX-XX-ST-SM-XX-X								GPPC-PX-X-XX-XX-ST-SL							
		"A" UNCOMPRESSED		"A" FULLY COMPRESSED		"B" UNCOMPRESSED		"B" FULLY COMPRESSED		"A" UNCOMPRESSED		"A" FULLY COMPRESSED		"B" UNCOMPRESSED		"B" FULLY COMPRESSED	
GPPC-XX-X-XX-XX-ST-EM-XX	PRFIA-SMPM-J-J-SP-1	0.452	[11.48]	0.420	[10.67]	0.625	[15.86]	0.593	[15.05]	0.467	[11.86]	0.435	[11.05]	0.640	[16.24]	0.608	[15.43]
	PRFIA-SMPM-J-J-SP-2	0.690	[17.53]	0.590	[14.99]	0.863	[21.91]	0.763	[19.37]	0.705	[17.91]	0.605	[15.37]	0.878	[22.29]	0.778	[19.75]
GPPC-PX-X-XX-XX-ST-SL	PRFIA-SMPM-J-J-SP-1	0.581	[14.76]	0.549	[13.94]					0.596	[15.14]	0.564	[14.33]				
	PRFIA-SMPM-J-J-SP-2	0.819	[20.80]	0.719	[18.26]					0.834	[21.18]	0.734	[18.64]				
GPPB-XX-X-XX-XX-ST-SM-XX-X	PRFIA-SMPM-J-J-SP-1	0.566	[14.38]	0.534	[13.56]												
	PRFIA-SMPM-J-J-SP-2	0.804	[20.42]	0.704	[17.88]												

GPPC-XX-X-XX-XX-ST-EM-XX

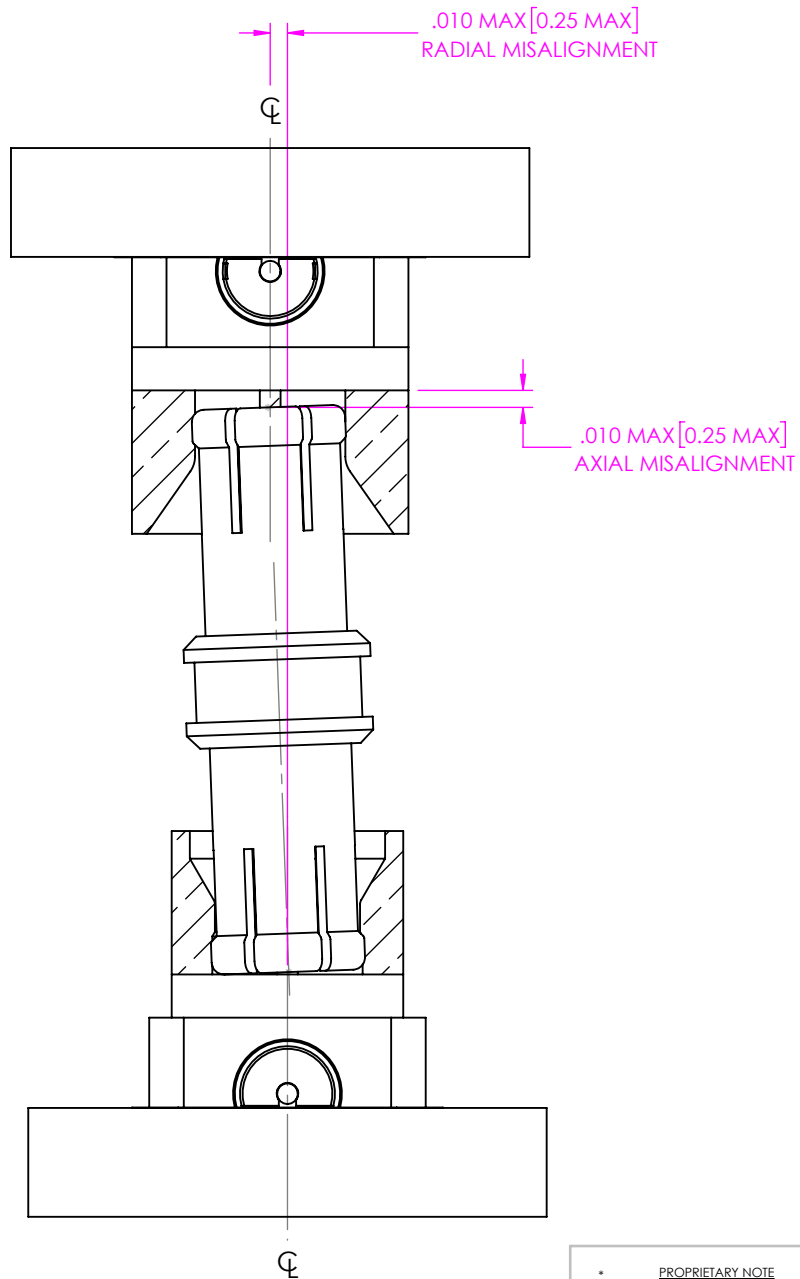
		"A" UNCOMPRESSED		"A" FULLY COMPRESSED		"B" UNCOMPRESSED		"B" FULLY COMPRESSED	
		GPPC-XX-X-XX-XX-ST-EM-XX	PRFIA-SMPM-J-J-SP-1	0.338	[8.59]	0.306	[7.77]	0.683	[17.35]
PRFIA-SMPM-J-J-SP-2	0.576		[14.63]	0.476	[12.09]	0.921	[23.39]	0.821	[20.85]

\* PROPRIETARY NOTE \*  
 THIS DOCUMENT CONTAINS CONFIDENTIAL AND PROPRIETARY INFORMATION AND ALL DESIGN, MANUFACTURING, REPRODUCTION, USE, PATENT RIGHTS AND SALES RIGHTS ARE EXPRESSLY RESERVED BY SAMTEC, INC. THIS DOCUMENT SHALL NOT BE DISCLOSED, IN WHOLE OR PART, TO ANY UNAUTHORIZED PERSON OR ENTITY NOR REPRODUCED, TRANSFERRED OR INCORPORATED IN ANY OTHER PROJECT IN ANY MANNER WITHOUT THE EXPRESS WRITTEN CONSENT OF SAMTEC, INC.



520 PARK EAST BLVD, NEW ALBANY, IN 47150  
 PHONE: 812-944-6733 FAX: 812-948-5047  
 e-Mail info@SAMTEC.com code 55322

**FIGURE 7**  
 SMPM MAX RADIAL/AXIAL MISALIGNMENT  
 FULL DETENT TO CATCHER'S MITT SHOWN



**PROPRIETARY NOTE**  
 \* THIS DOCUMENT CONTAINS CONFIDENTIAL AND PROPRIETARY INFORMATION AND ALL DESIGN, MANUFACTURING, REPRODUCTION, USE, PATENT RIGHTS AND SALES RIGHTS ARE EXPRESSLY RESERVED BY SAMTEC, INC. THIS DOCUMENT SHALL NOT BE DISCLOSED, IN WHOLE OR PART, TO ANY UNAUTHORIZED PERSON OR ENTITY NOR REPRODUCED, TRANSFERRED OR INCORPORATED IN ANY OTHER PROJECT IN ANY MANNER WITHOUT THE EXPRESS WRITTEN CONSENT OF SAMTEC, INC. \*

**samtec**  
 520 PARK EAST BLVD, NEW ALBANY, IN 47150  
 PHONE: 812-944-6733 FAX: 812-948-5047  
 e-Mail info@SAMTEC.com code 55322  
 SHEET 3 OF 3